

RJ-45 Dual Adapters - Labelled

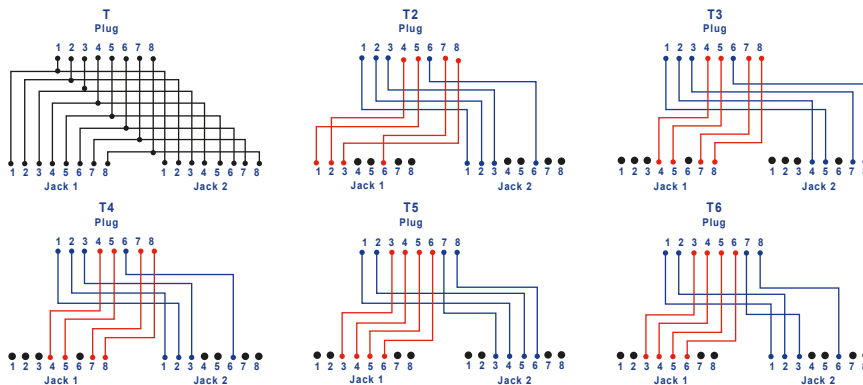
MODEL CODE	TYPE
C-RJ45LT	8 Way Splitter
C-RJ45LT2	Supports 2 UTP Devices
C-RJ45LT3	Supports 2 Phones
C-RJ45LT4	Supports 1 UTP & 1 Phone
C-RJ45LT5	Supports 2 Digital Phones
C-RJ45LT6	Supports 1 Digital Phone & 1 UTP

RJ45 8 contact dual adapter - 2x sockets & 1x plug (with short cable & pinout label)



C-RJ45LT2

RJ-45 DUAL ADAPTER PINOUTS

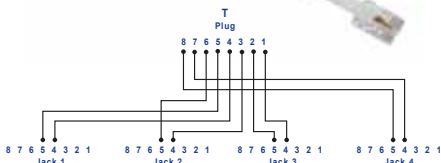


RJ45 Voice Splitter - 4 Way

MODEL CODE

C-RJ45DS-4V

RJ45 splitter, 4 way voice extensions

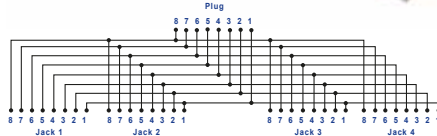


RJ45 Bridged Splitter - 4 Way

MODEL CODE

C-RJ45DS-4B

RJ45 splitter, bridged all pins 4 way



DB to RJ45 Adapters

MODEL CODE

TYPE

A-D9FRJ45	DB9 Female to RJ45, 8 wire
A-D9MRJ45	DB9 Male to RJ45, 8 wire
A-D25FRJ45	DB25 Female to RJ45, 8 wire
A-D25MRJ45	DB25 Male to RJ45, 8 wire
A-D15FRJ45	DB15 Female to RJ45, 8 wire
A-D15MRJ45	DB15 Male to RJ45, 8 wire



A-D9

A-D25

Solder Connectors

MODEL CODE

TYPE

A-SC-HD15F	HD DB15 VGA Female
A-SC-HD15M	HD DB15 VGA Male
A-SC-D25F	DB25 Female
A-SC-D25M	DB25 Male
A-SC-D9F	DB9 Female
A-SC-D9M	DB9 Male



DB9, DB15 & DB25 Hoods

MODEL CODE

TYPE

A-HOOD9	DB9 Beige Plastic
A-HOOD25	DB25 Beige Plastic
A-HOOD9 MET	DB9 Metalised
A-HOOD15 MET	DB15 Metalised
A-HOOD25 MET	DB25 Metalised



2 Wire Jack

MODEL CODE

TYPE

BT-2WJACK	BT 2 Wire Jack
BT-JMB	Mounting Block
BT-2WJWMB	2 Wire Jack w/Mounting Block



BT-2WJACK



BT-JMB



BT-2WJWMB

