

# Bridged Telecom Module

Mode Code: HBG-1008

## Description

The Bridged Telecom Module and Telecom Distribution Module provide telephone distribution services throughout the home or office. This module supports the bridged distribution of any combination of up to four telephone lines to eight locations. In addition the slide switch provides line seizure and dial out capability to most security systems.

## Instructions

1. Place the module horizontally.
2. Push the module so the hook and tabs fall into the rail slots of the enclosure.
3. Slide the module LEFT and the spring fastener will automatically lock the module at the desired position.

## Operation

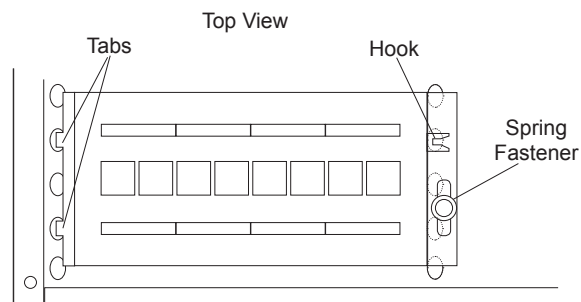
The Bridged telecom Module has a 110 punch-down connector labelled "FROM SOURCE" to support the 4 incoming phone lines and distribute them to up to 8 locations. A RJ-45 Patch cord is used to connect a breakout box (not included) to a wall plate.

## Connect the Security Interface

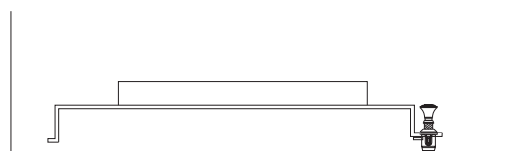
The slide switch provides the security interface. Switch to "ON" and connect the RJ31x cable to RJ-45 jack labelled "SECURITY". Connect the other end of the RJ-31 cable to the security panel to support automatic dial out capability in case of emergency. To disable unplug the security jack and switch "OFF".

## Connect the Security Interface

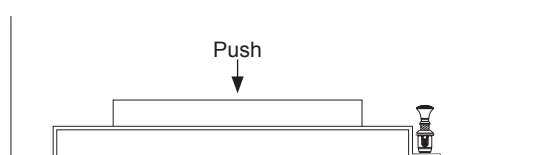
There is a 110-connector labelled "OUTPUT EXPANSION" that will link to the source of another telecom distribution module to support 4 to 8 additional locations.



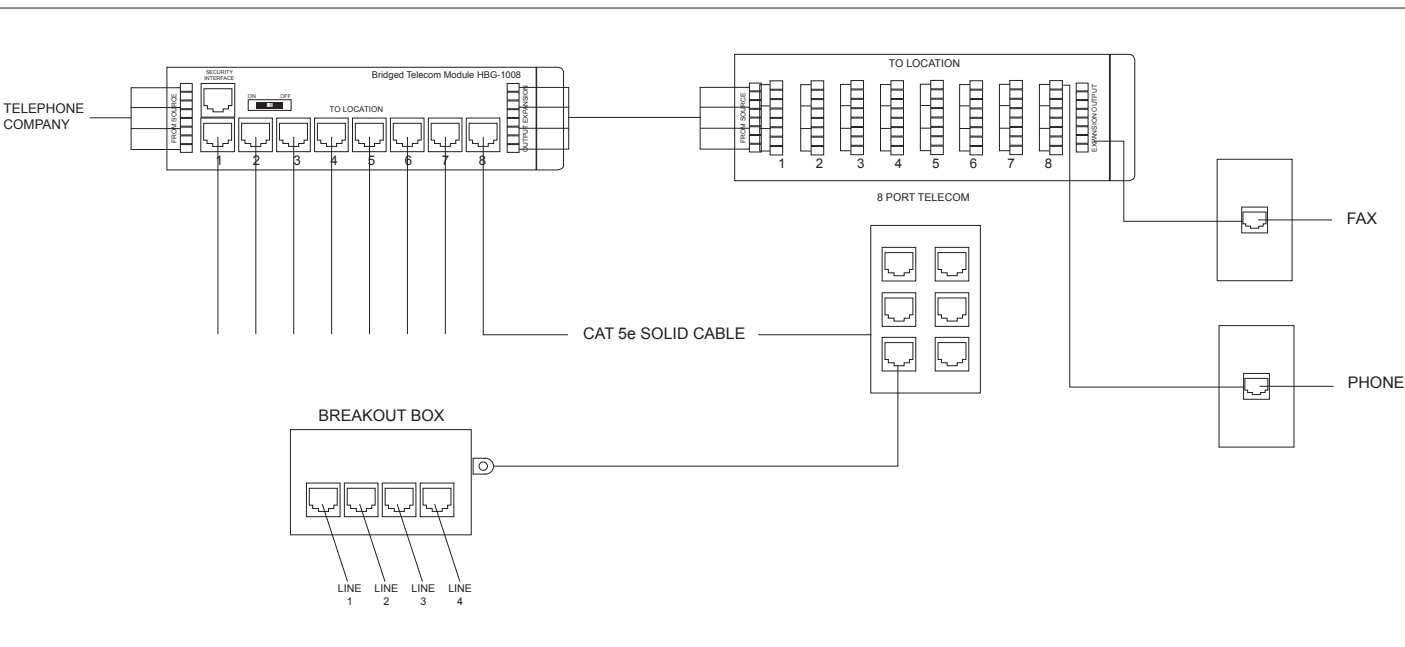
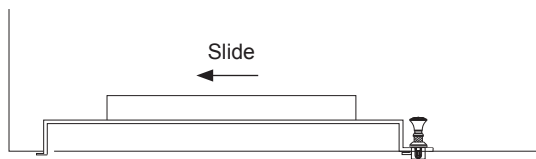
1.



2.



3.

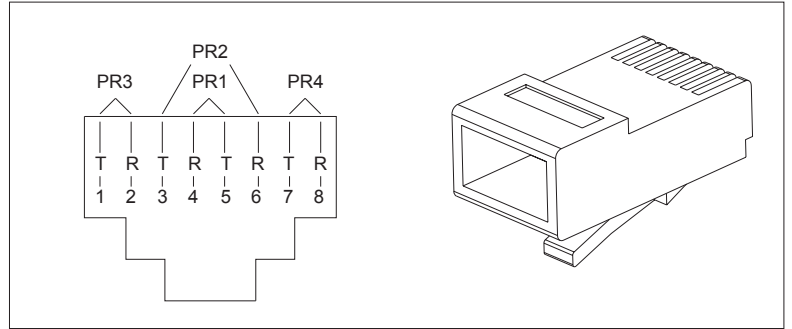


# Patch Panel Module

Mode Code: HBG-1008

## RJ45 Jacks

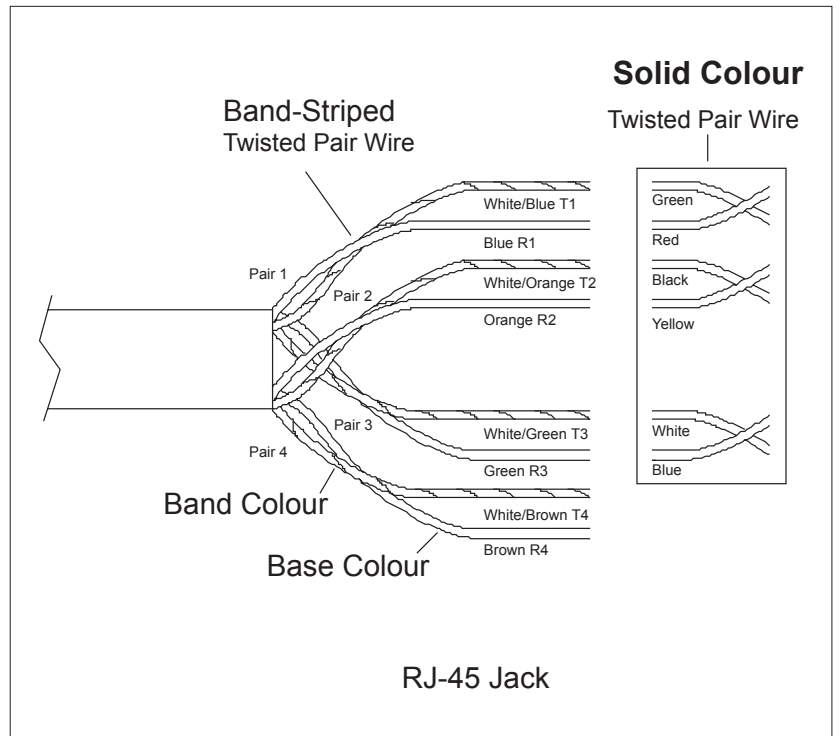
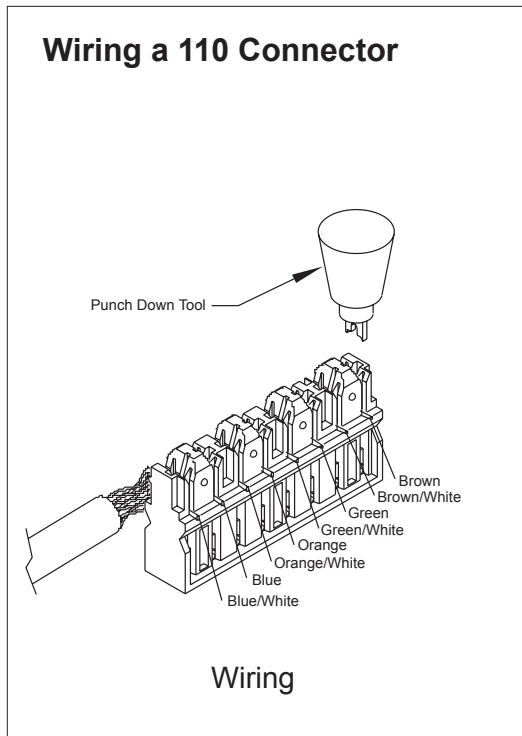
Phone and data lines are wired according to the TIA T568A standard.



## Wire Installation

For 110 IDC connector, follow the wire colour-code and only use 110 punch down tool to push the wire between the contact blades. For RJ45 plug, follow the standard TIA T568A standard for wiring instructions.

### Wiring a 110 Connector



## Wiring a 110 Connector

1. Strip 5cm of cable jacket.
2. Untwist about 10mm of wire and keep jack close to 110 connector.
3. According to the colour code, use only a 110 punch down tool to push the wire between the contact blades. The wire may be damaged if another tool is used.