

CVT-5002SFP+ Series Media Converter



10GBase-R Fiber Optics 10G SFP+ to 10G SFP+
Standalone Media Converter

Features

- Support 10 Gigabit Fiber to Fiber full duplex conversion
- Comply with IEEE 802.3ae 10GBASE-R
- LED Indicators for link and power status
- Support 3R (Re-amplifying, Re-shaping, Re-timing) optical signal regeneration
- Fully Compatible with CTS CVT-RACK-16 Series

Description

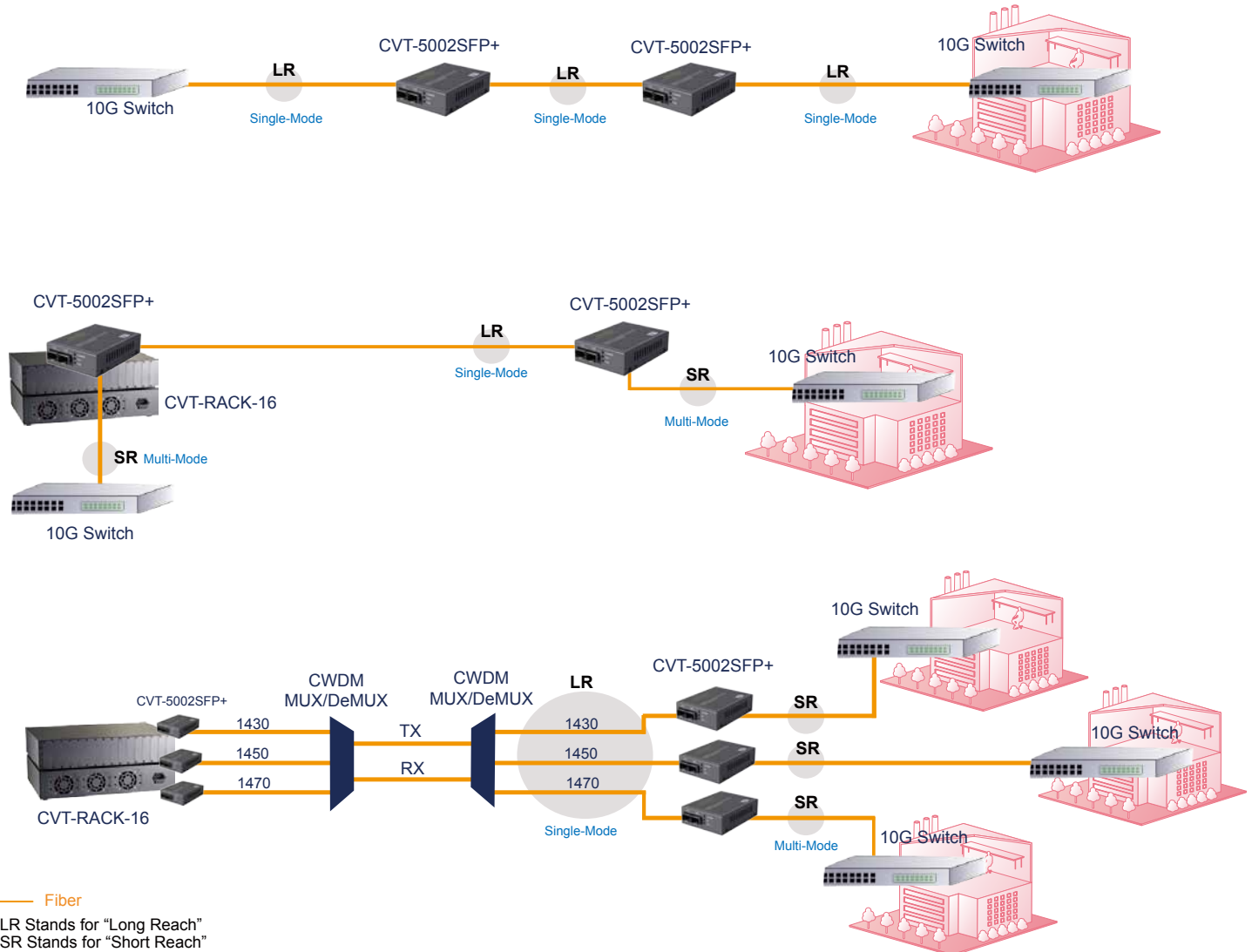
Connection Technology Systems (CTS) CVT-5002SFP+ series is a two-port pluggable 10 Gigabit fiber-to-fiber media converter for a number of dissimilar 10 Gigabit fiber devices. The CVT-5002SFP+ series media converter supports the media conversion at 10 Gigabit over link distance up to 300 meters with 10GBase-SR multi-mode fiber or 10GBase-LR single-mode fiber standards. To Deploy the bidirectional media converter, the CVT-5002SFP+ media converter is required to individually connect 10Gbase-SR multi-mode device or 10Gbase-LR single-mode device, or in pairs at each end of long-distance fiber links.

The CVT-5002SFP+ series media converter supports SFP+ to SFP+ fiber connection. The data transfer is protocol transparent and done by 3R (Re-amplifying, Re-shaping, Re-timing) regeneration between the different fiber optics devices. With the forwarding capacity at the full wire speed, the CVT-5002SFP+ series media converter is the most optimized and simplest solution for dispersed network that media conversion is required between multi-mode fiber segments separated due to geographical limit.

Target Applications

- Point-to-point fiber connection and deployment for long distance which requires reliable and stable link over 10Gigabit devices

Application Diagram



Specification

Interface

F/O
 10GBase-R SFP+ x 2

Standards

IEEE 802.3ae 10GBase-R
 Comply with SFF-8431

LED

Power, F/O1, F/O2

Power Requirement

AC/DC Power adaptor
 -AC input: 100VAC~240VAC
 -Frequency range: 50~60Hz
 -DC output: 5V, 2A
 Power Consumption: DC 4.3W; AC 5.8W

Environmental Condition

Operating Temperature: 0°C~50°C
 Storage Temperature: -20°C~60°C
 Humidity: 5%~90%, non-condensing

Dimension & Weight

Size: 71x94x26 mm (WxDxH)
 Shipping Weight: 0.6kg

EMC/Safety

FCC Part 15 Class A, CE
 * For further reports, please contact us for update

Order Information

CVT-5002SFP+ Series

MODEL	FIBER PORT					TP PORT	
	Speed	Fiber Type	Connector	Distance	Ports	Speed	Ports
CVT-5002SFP+	10Gbps	SFP+	-	300M/10KM	2	-	-

SFP-51 Series

Model	Fiber Port				
	Speed	Type	Connector	Distance	Wavelength
SFP-51FC	10G	MM	LC	300M	850nm
SFP-51FC(SM-10)	10G	SM	LC	10KM	1310nm
SFP-51FC(SM-40)	10G	SM	LC	40KM	1550nm
SFP-51FC(SM-80)	10G	SM	LC	80KM	1550nm
SFP-51W2A(SM-10)	10G	WDM	LC	10KM	TX:1270nm
					RX:1330nm
SFP-51W2B(SM-10)	10G	WDM	LC	10KM	TX:1330nm
					RX:1270nm
SFP-51W2A(SM-20)	10G	WDM	LC	20KM	TX:1270nm
					RX:1330nm
SFP-51W2B(SM-20)	10G	WDM	LC	20KM	TX:1330nm
					RX:1270nm
SFP-51W2A(SM-40)	10G	WDM	LC	40KM	TX:1270nm
					RX:1330nm
SFP-51W2B(SM-40)	10G	WDM	LC	40KM	TX:1330nm
					RX:1270nm